

# GST1 MINI

## Control system for unattended access

TERMINAL FOR WEIGHBRIDGE  
ACCESS CONTROL



## GST1 MINI

**Compact self-service terminal for unattended weighbridge operation that manages access control and enables operator-free operation via RFID identification and software integration. Available for installation at standard height or cabin level.**

### SPECIFICATIONS

#### FEATURES

<b>Terminal</b>	For autonomous station with proximity RFID reader
<b>Installation kit</b>	In stainless steel version
<b>Power supply</b>	12 VDC / 1 A (external power supply)
<b>Connectivity</b>	Ethernet / RS-232

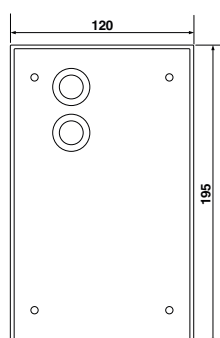
#### INCLUDES

- » RFID/MIFARE reader.
- » Card management system.
- » 2 LED indicators (red and green).
- » 10 RFID cards.
- » Capability to control 1 output and 2 inputs, or up to 3 outputs.

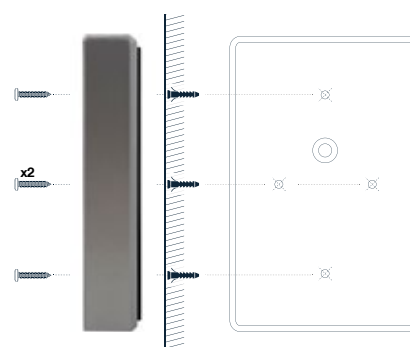
#### TYPES OF GST1 MINI TERMINALS

- » GST1 MINI terminal in stainless steel with aluminum housing.

#### DIMENSIONS (mm)



#### INSTALLATION



### OPTIONS FOR SOFTWARE

- » **GST1 MINI** weighing terminals can operate with or without an operator through the installation of the G2 AUTOMATIC application. The terminal supports options to integrate vehicle identification systems via RFID reader.
- » **G2 AUTOMATIC** allows GST1 MINI and GST2 terminals to operate with GESNET2 in unattended mode (without an operator). It incorporates automatic weight control management functions.

#### TERMINAL MODULES

##### GESTRUCK2 / GESNET2 SOFTWARE

The GESTRUCK2 and GESNET2 software can be complemented by the installation of the terminals. Activation of the unattended terminal management module is required for proper control.



Unattended weighing terminal management module	✓	✓
Office software	✓	✓

*\*Check specifications, options, and prices.*

### GST1 MINI references

Description	Code #
Self-service terminal GST1 MINI INOX + RFID	281139

#### OPTIONALS

Description	Code #
GST1 MINI unattended weighing license	280363
Galvanized post for GST terminals	280574